

CP 2110 HP

Mobile, Versatile City Pump

Putzmeister

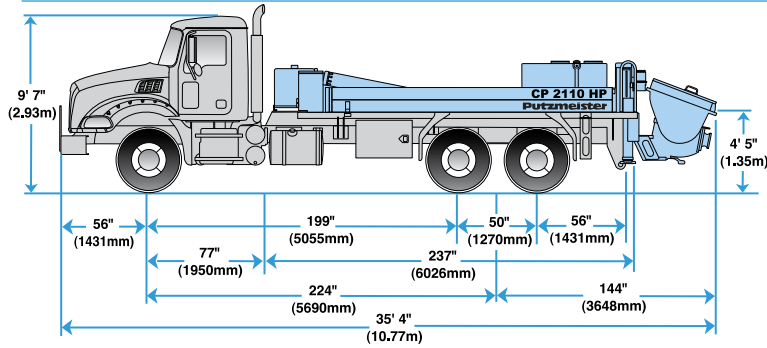


CP 2110 HP

- Ergonic® Pump Control System (EPS)
- High pressure pumping
- Open, spacious decks

Specifications

CP 2110 HP



CP 2110 HP Truck-Mounted Specifications

Based on Model Mack Granite GU8

Length	35' 4"	(10.77m)
Width	8' 2"	(2.50m)
Height	9' 7"	(2.93m)
Wheelbase	224"	(5,690mm)
Front axle weight	10,107 lbs	(4,585kg)
Rear axle weight	21,679 lbs	(9,833kg)
Approx. total weight	31,786 lbs	(14,418kg)

Standard Features

- Ergonic® Pump Control System (EPS)
- 24V electrical system
- Modular design
- Exclusive free flow hydraulics
- Variable displacement axial piston pump
- Variable volume (0 to full) pump output
- Hydraulic oil cooler
- Carbide wear parts
- Multi-piece piston cup design
- Hard-chromed material cylinders
- Proven reliable 1812 S-Valve
- RS 905HPF hopper with 19.4 cu ft (550L) capacity
- Hydraulic remixer/agitator
- Hopper grate with electric vibrator
- Splash guards
- Manual grease system at hopper
- High pressure water system with pump, polyurethane tank and hose
- 233 gallon (880L) water tank
- Fully-enclosed weatherproof control panel with Ergonic Graphic Display (EGD)
- Emergency stop button
- Convenient stroke change switch
- Fully hydraulic rear outriggers extend down
- Remote control with 130 ft (40m) cable
- Breakaway rear steps
- Toolboxes and tool tray
- High quality two-color paint finish
- Ship-away kit with replacement filters

Options

- SBU rod/piston conversion system
- Multi-function wireless remote control
- Automatic hopper lubrication system with timer
- 6" (150mm) HD adapters



² A convenient switch of hoses using the optional SBU rod/piston conversion system allows the user to go from the rod side to the piston side quickly and easily. Capable of pumping pressures up to 3,200 psi (220 bar) on the piston side, the CP 2110 HP can handle a range of applications including high-rise jobs.

Pump Specifications

2110 HP

Output — rod side	139 yd ³ /hr (106m ³ /hr)
piston side	90 yd ³ /hr (69m ³ /hr) ^Δ
Pressure — rod side	2175 psi (150 bar) [*]
piston side	3200 psi (220 bar) ^{*Δ}
Material cylinder diameter	8" (200mm)
Stroke length	83" (2100mm)
Maximum strokes per minute —	
rod side	26
piston side	18
Volume control	0-Full
Vibrator	Standard
Hard-chromed material cylinder	Standard
Hydraulic system	Free Flow-EL
Hydraulic system pressure	5075 psi (350 bar)
Differential cylinder diameter	6.3" (160mm)
Rod diameter	3.5" (90mm)
Maximum size aggregate	2.5" (63mm)
Water tank	233 gal (880L)

Valve & Hopper

Hopper	RS 905HPF
S-Valve type (heavy duty cast)	1812
Outlet	8" to 6" (200 to 150mm) with 6" (150mm) weld ring
Hopper capacity	19.4 cu ft (550L)
Hopper height	4' 5" (1.35m)

Maximum theoretical values listed.

Note: Maximum output and pressure cannot be achieved simultaneously.

^{*} Delivery line system rated at max line pressure of 3200 psi (220 bar).

^Δ Achievable with optional rod/piston conversion system.

^{**} Consult factory for model specifications.

Photographs represented in this brochure are for informational purposes only and may depict optional or additional equipment not offered as standard. Always refer to the appropriate owners manual for safe and proper operation of Putzmeister equipment.

Putzmeister

Putzmeister America, Inc. Telephone (262) 886-3200
 1733 90th Street (800) 884-7210
 Sturtevant, WI 53177 USA Facsimile (262) 884-6338
 www.putzmeister.com



³ Authorized Distributor