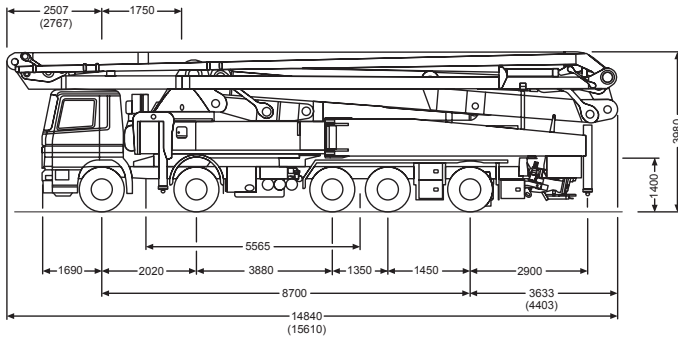


58 Meter • Truck-Mounted Concrete Boom Pump



Model Overview

- Vertical Reach 188' (58m)
- Horizontal Reach 175' 2" (53.4m)
- Unfolding Height 56' 5" (17.2m)
- Outrigger Width, Front 29' 2" (8.9m)
- Outrigger Width, Rear 41' (12.5m)

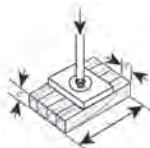
Boom Specifications • Multi-Z Design

- 1st Section Length 34' (10.4m)
- 2nd Section Length 49' (15m)
- 3rd Section Length 47' 3" (14.4m)
- Tip Section 44' 10" (13.6m)

Outrigger Loads • Front and Rear

FRONT

83,179 lbs
370 kN



REAR

80,931 lbs
360 kN

