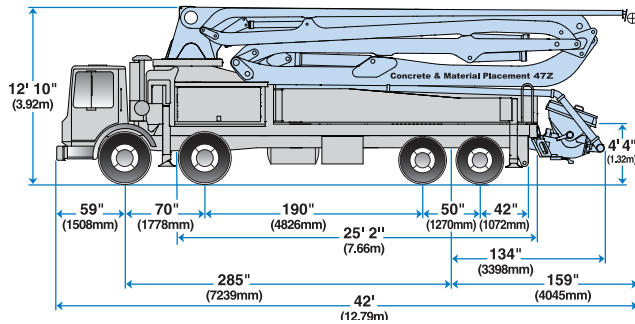


47Z-Meter • Truck-Mounted Concrete Boom Pump



Model Overview

- Vertical reach 151' 3" (46.10m)
- Horizontal reach 138' 1" (42.09m)
- Reach from front of truck 128' 2" (39.07m)
- Reach depth 105' 8" (32.21m)
- Unfolding height 31' 2" (9.50m)

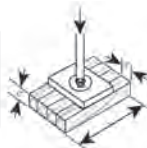
Boom Specifications • Z-Fold Design

- 1st section length 29' 2" (8.89m)
- 2nd section length 25' 11" (7.90m)
- 3rd section length 24' 7" (7.49m)
- 4th section length 27' 3" (8.31m)
- 5th section length 31' 2" (9.50m)

Outrigger Loads • Front and Rear

FRONT

58,435 lbs
260 kN



REAR

57,310 lbs
255 kN

