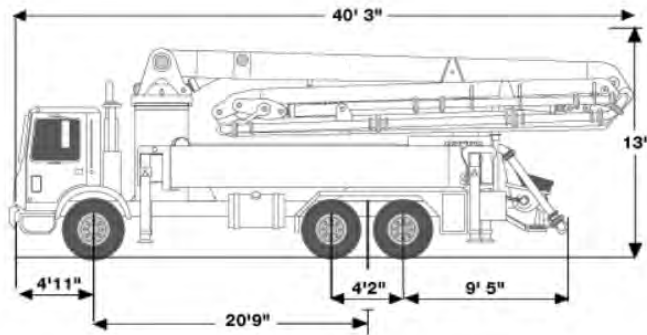
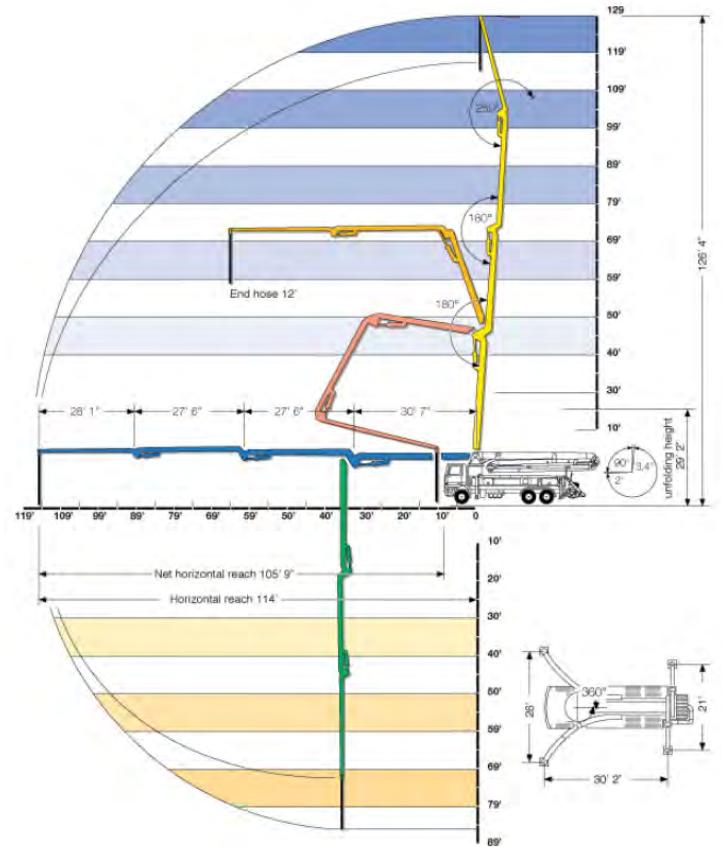


39-Meter • Truck-Mounted Concrete Boom Pump



39 Meter • Truck Mounted Concrete Boom Pump

- Vertical reach 127' (38.7m)
- Horizontal reach 113' 8" (34.7m)
- Reach from front of truck 105' 9" (32.28m)
- Reach depth 89' (27.13m)
- Unfolding height 29' 2" (8.8m)



Outrigger Loads • Front and Rear

FRONT

40,465 lbs
180 kN



REAR

40,465 lbs
180 kN

