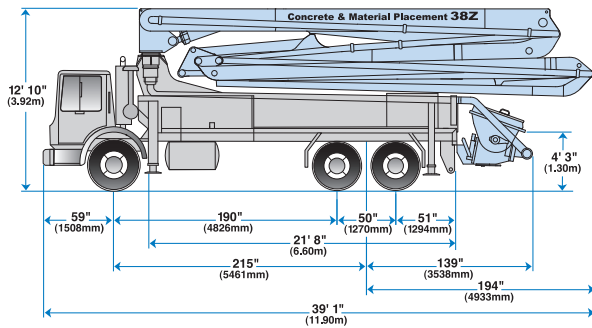


38Z-Meter • Truck-Mounted Concrete Boom Pump



Model Overview

- Vertical reach 121' 9" (37.11m)
- Horizontal reach 108' 7" (33.10m)
- Reach from front of truck 101' 1" (30.81m)
- Reach depth 80' 1" (24.41m)
- Unfolding height 28' 7" (8.71m)

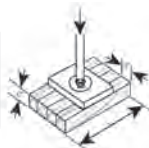
Boom Specifications • Multi-Z Design

- | | | |
|--------------------|--------|---------|
| 1st section length | 28' 6" | (8.69m) |
| 2nd section length | 25' 3" | (7.70m) |
| 3rd section length | 27' 7" | (8.41m) |
| 4th section length | 27' 3" | (8.31m) |

Outrigger Loads • Front and Rear

FRONT

41,350 lbs
184 kN



REAR

43,850 lbs
195 kN

