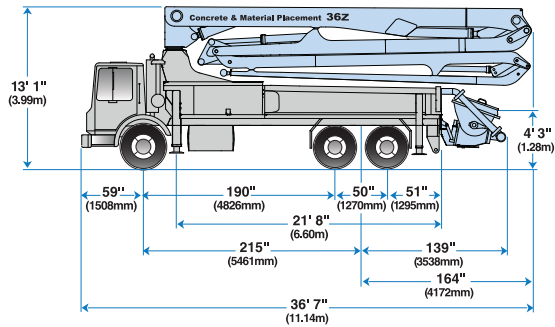


36Z-Meter • Truck-Mounted Concrete Boom Pump



Model Overview

- Vertical reach 116' 9" (35.59m)
- Horizontal reach 104' (31.70m)
- Reach from front of truck 96' 3" (29.34m)
- Reach depth 74' 8" (22.76m)
- Unfolding height 28' 7" (8.71m)

Boom Specifications • Multi-Z Design

- 1st section length 28' 8" (8.74m)
- 2nd section length 25' 3" (7.70m)
- 3rd section length 25' 4" (7.72m)
- 4th section length 24' 9" (7.54m)

Outrigger Loads • Front and Rear

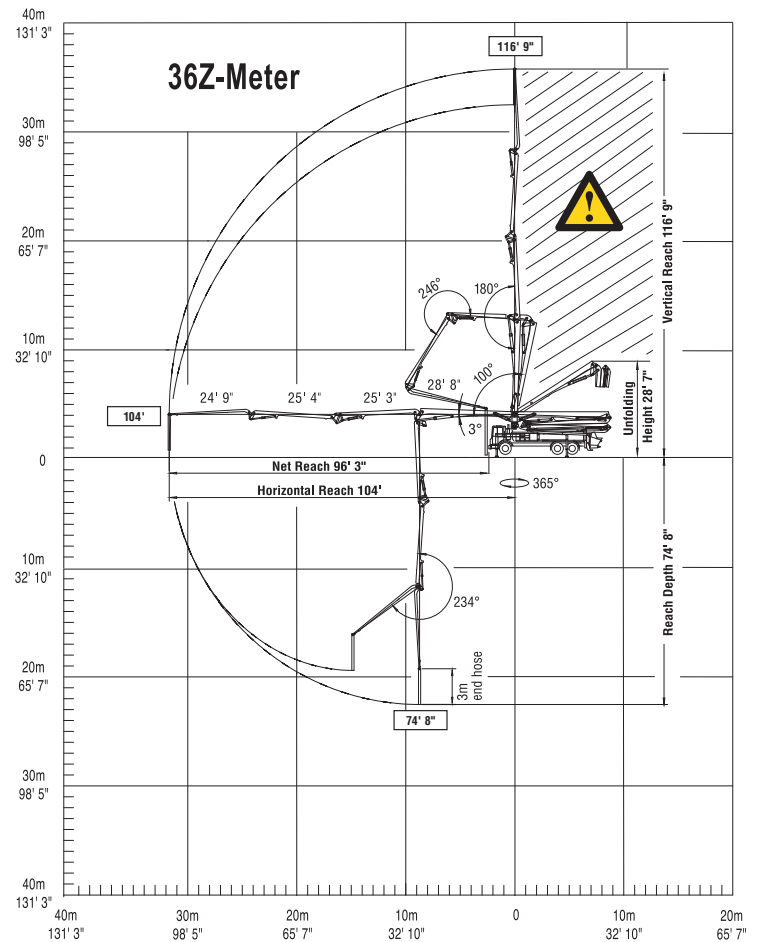
FRONT

43,850 lbs
195 kN



REAR

43,850 lbs
195 kN



⚠ End hose not to be operated in caution area.

