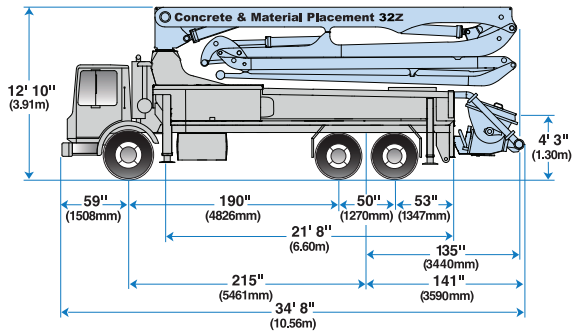


32Z-Meter • Truck-Mounted Concrete Boom Pump



Model Overview

- Vertical reach 104' 6" (31.85m)
- Horizontal reach 91' 10" (27.99m)
- Reach from front of truck 84' 2" (25.67m)
- Reach depth 64' 10" (19.76m)
- Unfolding height 25' 3" (7.70m)

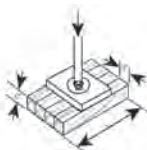
Boom Specifications • Multi-Z Design

- 1st section length 26' (7.92m)
- 2nd section length 21' 11" (6.68m)
- 3rd section length 21' 11" (6.68m)
- 4th section length 22' (6.71m)

Outrigger Loads • Front and Rear

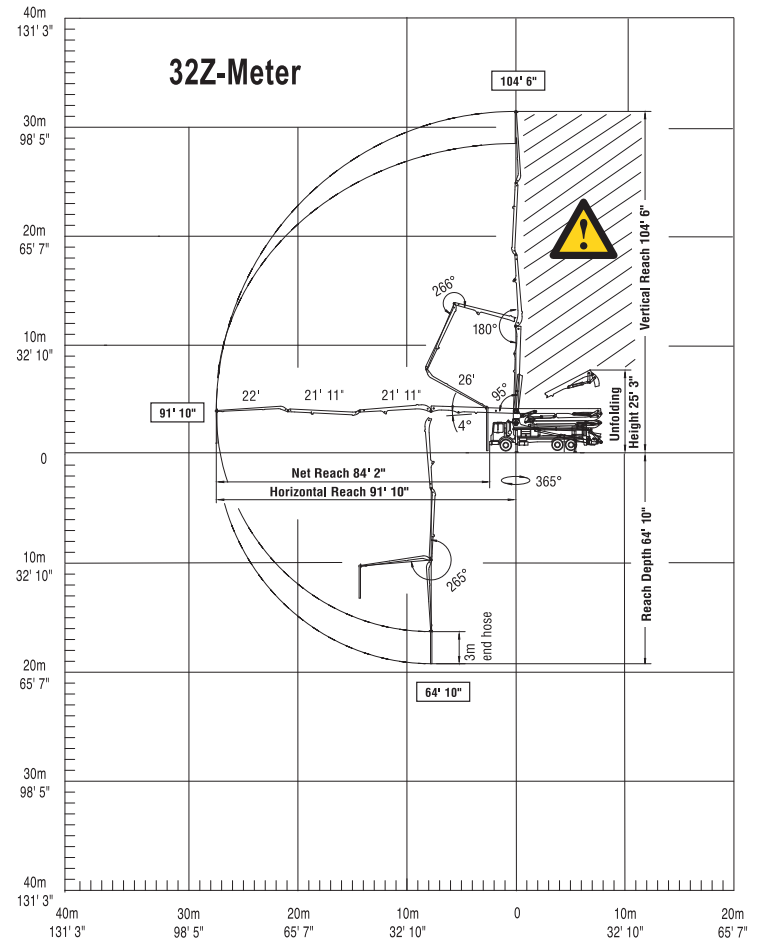
FRONT

43,850 lbs
195 kN



REAR

43,850 lbs
195 kN



End hose not to be operated in caution area.

