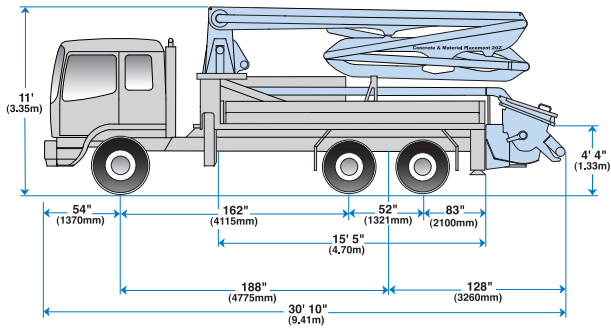


20Z-Meter • Truck-Mounted Concrete Boom Pump



Model Overview

- Vertical reach 63' 10" (19.46m)
- Horizontal reach 53' 11" (16.43m)
- Reach from front of truck 44' 4" (13.51m)
- Reach depth 36' 7" (11.15m)
- Unfolding height 12' 10" (3.91m)

Boom Specifications • Z-Fold

- | | | |
|--------------------|---------|---------|
| 1st section length | 17' 11" | (5.46m) |
| 2nd section length | 11' 8" | (3.56m) |
| 3rd section length | 11' 8" | (3.56m) |
| 4th section length | 11' 8" | (3.56m) |

Outrigger Loads • Front and Rear

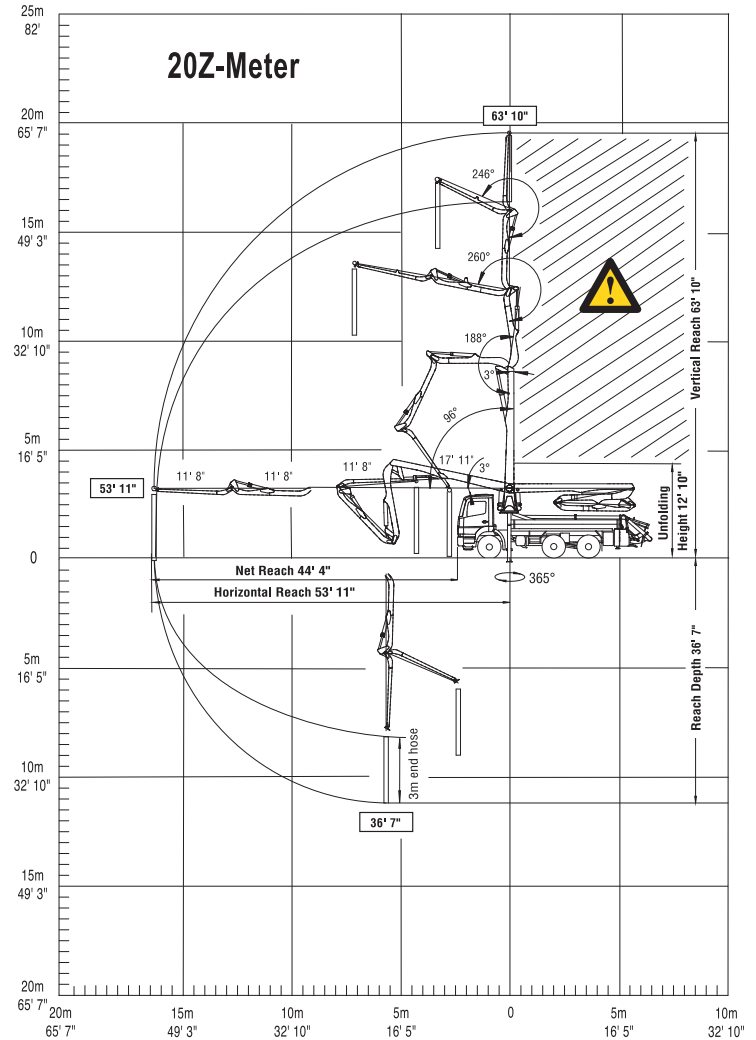
FRONT

23,605 lbs
105 kN



REAR

38,220 lbs
170 kN



End hose not to be operated in caution area.

